

GJ160 Wide Angle Heavy Duty Concealed Hinge (With Built-In Damper)

160° opening · 25 mm overlay · Overlay 21 ~ 25 mm
Door thickness 18 ~ 36 mm

Features

- Built-in damper allows doors to close slowly providing premium door motion
- Comes with a mounting plate and screw covers
- 3 way adjustment of door position available:
 - Depth : +1.5 mm / -2.5 mm
 - Vertical : ±3 mm
 - Overlay (horizontal) : +0 mm / -4 mm
- Passed 40,000 open / close cycle test

Notes

- Comes with a red holding pin which holds the hinge angle, please do not detach it until the hinge is installed
- Please do not open and close the hinge while the holding pin is attached

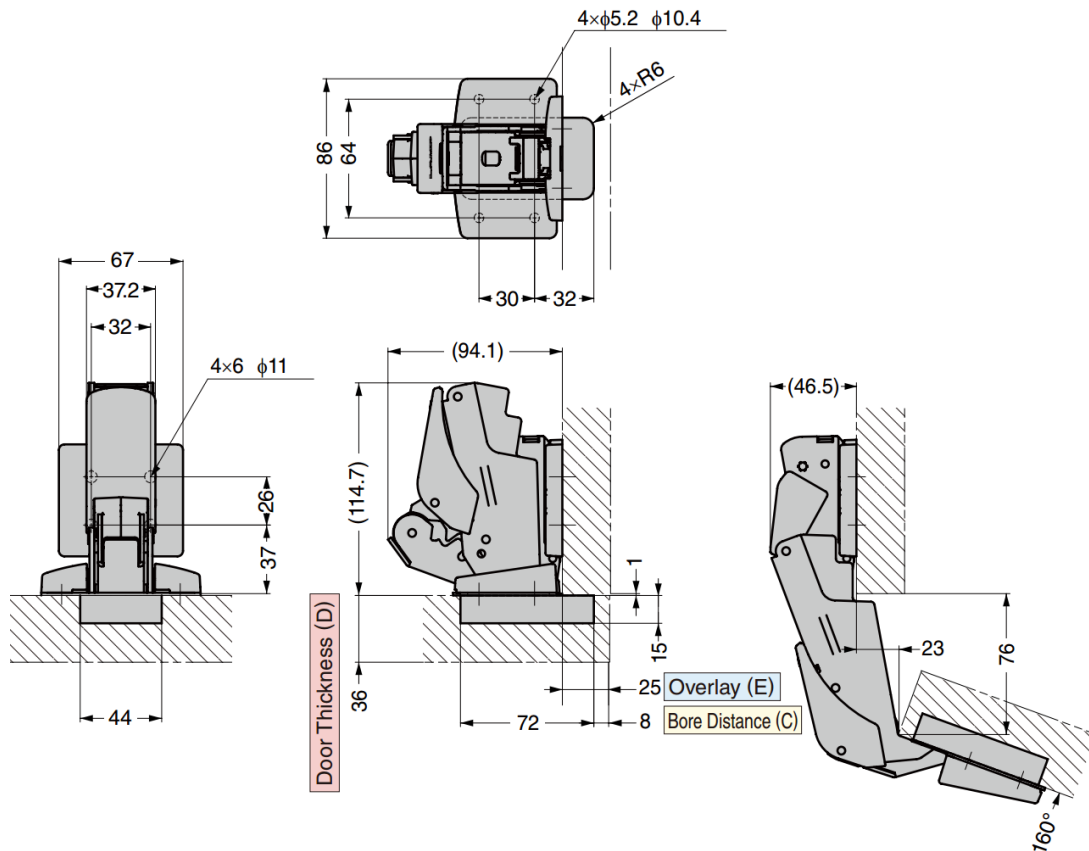
Parts Included

- Cross recessed raised countersunk tapping screw 5×18

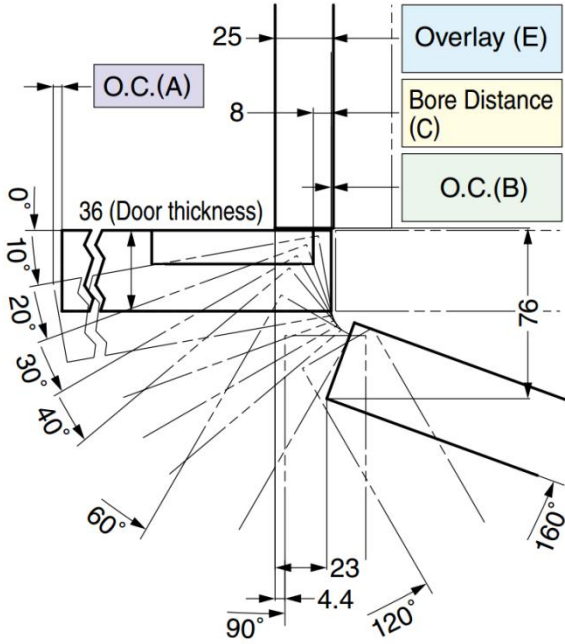


Part No.	Specification	Material	Finish
GJ160-D22-25T-NI	Built-in Damper	Steel, Zinc Alloy (ZDC), Glass Filled Polyamide (PA)	Nickel
GJ160-D22-25T-BN			Black Nickel

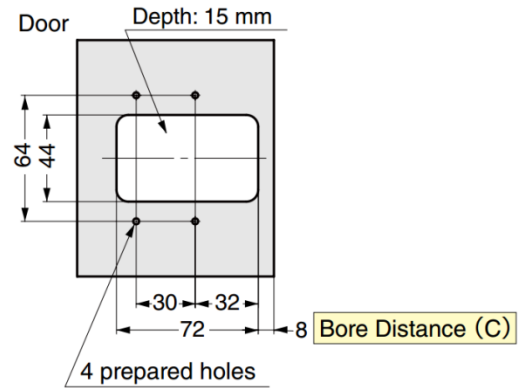
Drawing



Locus Chart



Cut Out Dimensions



[Bore Distance (C)]

Table-1

Bore Distance (C)	3	4	5	6	7	8
Overlay (E)	20	21	22	23	24	25

Overlay adjustment (Max. -4mm) by turning the overlay adjustment screw.

[Opening Clearance (O.C.)]

Clearances for door edge O.C. (A) and hinge side O.C. (B) are necessary. O.C. (A) and (B) change depending on door thickness and bore distance (C). Refer to locus chart and tables below when designing cabinets.

[O.C. (B)]

Table-2

Door Thickness (D)	Bore Distance (C)					
	3	4	5	6	7	8
34 and under	0.1 and under					
36	0.2	0.2	0.2	0.2	0.2	0.2
38*	0.5	0.5	0.5	0.5	0.6	0.6
40*	1.0	1.0	1.1	1.2	1.3	1.4
O.C. (B)						

*Please refer to the locus chart if door thickness is over 36 mm. (O.C. (B) can be made smaller by R chamfering (round chamfer) or C chamfering (chamfer plane) on the door)

[O.C. (A)]

Table-3

Door Thickness (D)	Door Width						
	300	400	500	600	700	800	900
20	1.6	1.2	1.0	0.8	0.7	0.6	0.5
30	1.9	1.4	1.2	1.0	0.8	0.7	0.7
36	1.9	1.5	1.2	1.0	0.8	0.7	0.7
O.C. (A)							